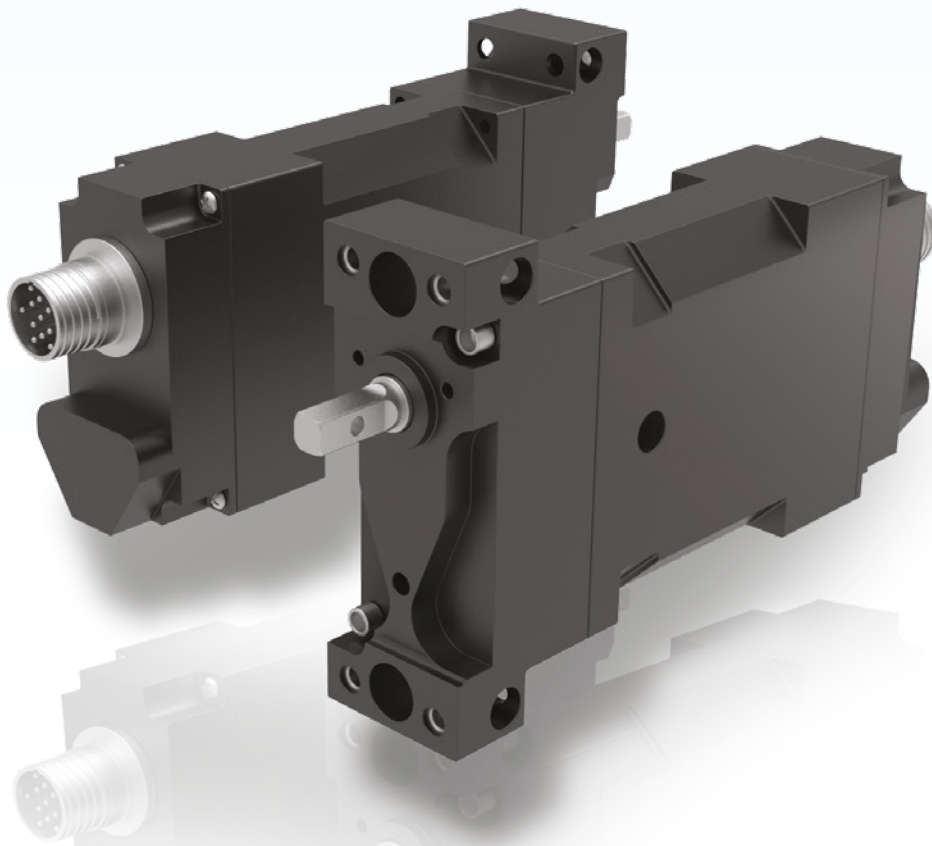


# ServoMax 25

## Electromechanical Actuator

### Characteristics

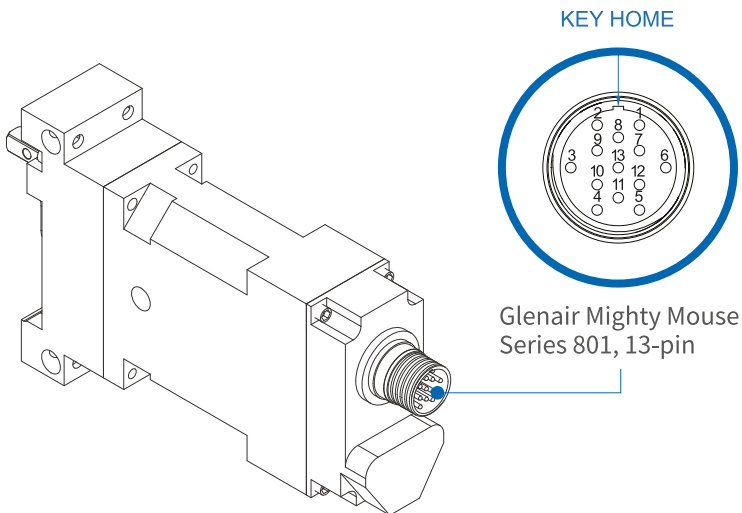
- Processor : High performance DSP
- Main Components : High reliability BLDC motor & Contactless position sensor
- Interface : Dual CAN / PWM & Analog feedback (Optional)
- Rated Torque : 30kgf·cm (2.9Nm)
- Max. Operating Torque : 50kgf·cm (4.9Nm)
- Rated Speed : 180°/sec @28VDC
- No Load Speed : 240°/sec @28VDC
- Operating Voltage : 18~32VDC / 12~18VDC (Optional)
- Rated Current : 0.6A (Peak Current 1.0A)
- Angular Backlash :  $\leq 0.3^\circ$
- Control Accuracy :  $\leq 0.5^\circ$  (Including Backlash)
- Bandwidth : 8 Hz @  $2^\circ$  · Sine wave
- Weight : 265g
- Stainless Steel Gear, Aluminum Case (with anodized)
- Max. Travel Angle :  $\pm 170^\circ$  (Mechanical Stop-Optional)
- Connector : Circular or D-Sub (Optional)
- Operating Temperature :  $-40^\circ\text{C} \sim 71^\circ\text{C}$
- MIL-STD-810G (Temperature, Vibration, Shock, Humidity, Altitude, Rain, Salt Fog)
- MIL-STD-461F (CE102, CS101, CS114~116, RE102, RS103, to be extended as per a specific application need)
- MTBF : 2,000hr @ 50% Rated Torque(rms)
- EMI Filter



# ServoMax25 Interface

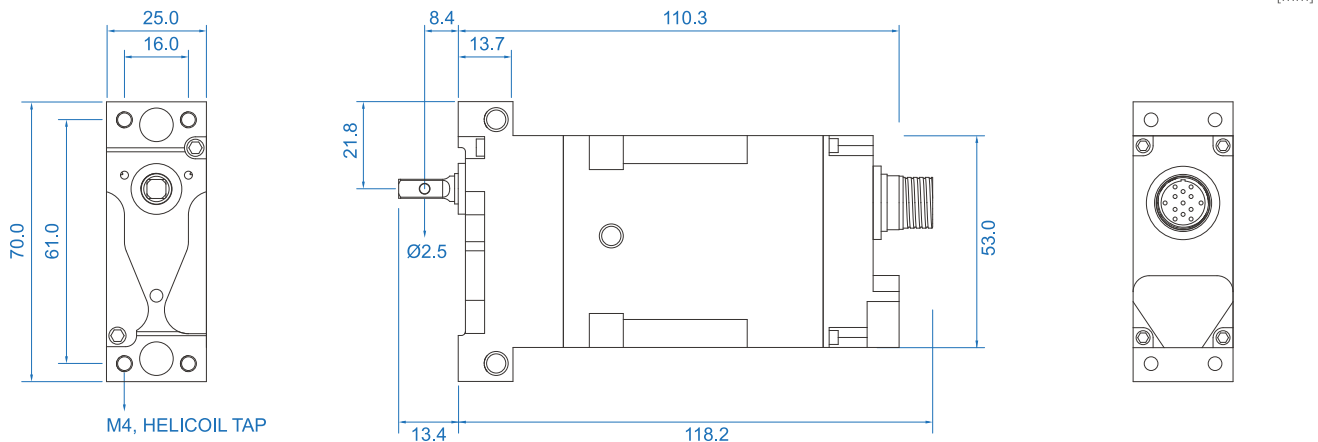
## ELECTRICAL INTERFACE

Pin#	Function	Notes
1	ID0 (CAN ID)	+5V
2	CAN CH_A_H	
3	POWER 28VDC+	
4	POWER GND	GND
5	ID3 (CAN ID)	+5V
6	ID RETRUN	GND
7	ID1 (CAN ID)	+5V
8	CAN CH_B_H	
9	CAN CH_A_L	
10	POWER 28VDC+	
11	POWER GND	GND
12	ID2 (CAN ID)	+5V
13	CAN CH_B_L	



- 801-011-07M8-13PA : Glenair Circular Connector, Jam Nut
- Dual CAN (CAN2.0A, Customizable or CANAerospace v.1.7 to be supported)
- Mating Connector : 801-007-16M8-13SA (example)

## DIMENSIONS



## NTI CURVE

