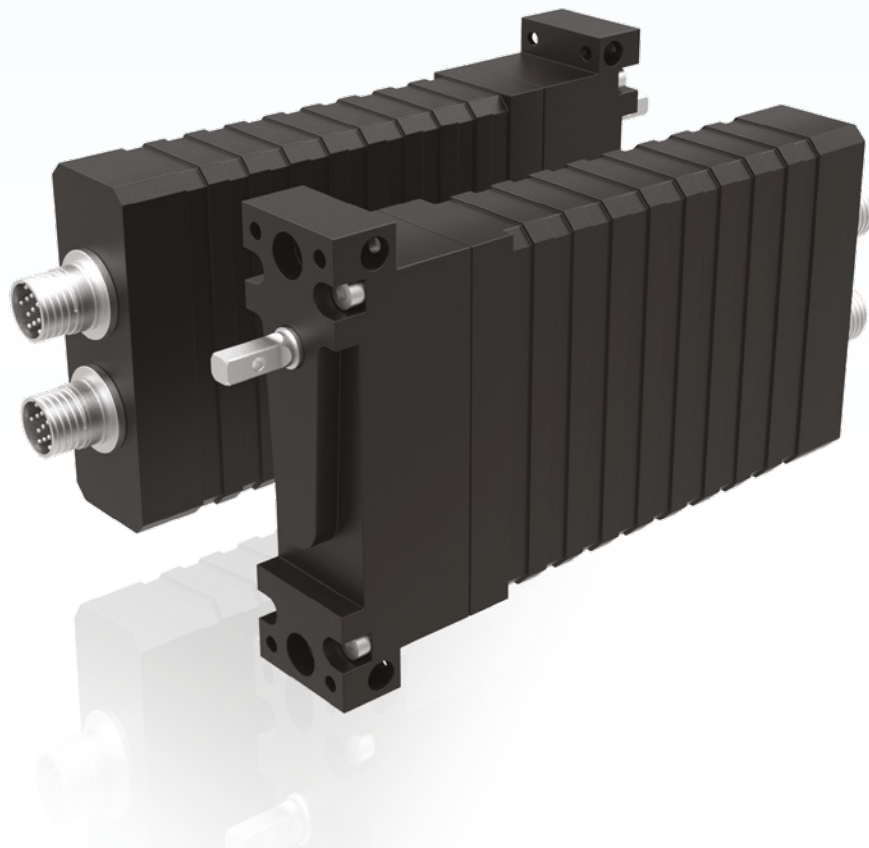


# ServoMax 50-Duplex

## Electromechanical Actuator

### Characteristics

- Processor : High performance DSP(2ea)
- Main Components : High reliability DC motor(2ea) & Triple contactless position sensor
- Interface : Dual CAN / PWM & Analog feedback (Optional)
- Rated Torque : 80kgf·cm (7.8Nm)
- Max. Operating Torque : 150kgf·cm (14.7Nm)
- Rated Speed : 160°/sec @28VDC
- No Load Speed : 200°/sec @28VDC
- Operating Voltage : 18~32VDC
- Rated Current : 2.0A (Peak Current 3.2A)
- Angular Backlash :  $\leq 0.3^\circ$
- Control Accuracy :  $\leq 0.5^\circ$  (Including Backlash)
- Bandwidth : 8 Hz @ 2° · Sine wave
- Weight : 520g
- Stainless Steel Gear, Aluminum Case (with anodized)
- Max. Travel Angle :  $\pm 170^\circ$  (Mechanical Stop-Optional)
- Connector : Circular
- Operating Temperature :  $-40^\circ\text{C} \sim 71^\circ\text{C}$
- MIL-STD-810G (Temperature, Vibration, Shock, Humidity, Altitude, Rain, Salt Fog)
- MIL-STD-461F (CE102, CS101, CS114~116, RE102, RS103, to be extended as per a specific application need)
- MTBF : 2,000hr @ 50% Rated Torque(rms)
- EMI Filter



# ServoMax50-Duplex Interface

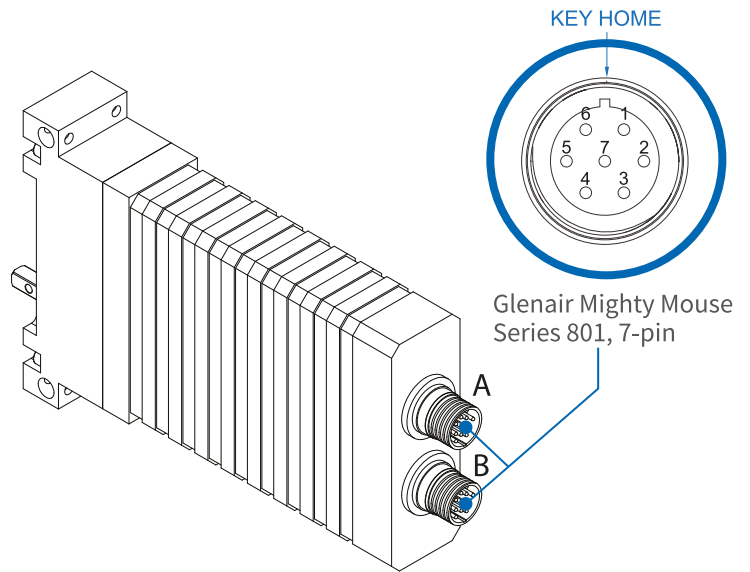
## ELECTRICAL INTERFACE

### Channel A

Pin#	Function	Notes
1	CAN_CH+	
2	CAN_CH-	
3	Fault_Status	Open Collector, Output
4	GND	Signal GND
5	+28V_HOT	Input
6	28V_RTN	Return
7	Earth	

### Channel B

Pin#	Function	Notes
1	CAN_CH+	
2	CAN_CH-	
3	Fault_Status	Open Collector, Output
4	GND	Signal GND
5	+28V_HOT	Input
6	28V_RTN	Return
7	Earth	



- 801-011-07M6-7PA : Glenair Circular Connector, Jam Nut
- CAN (CAN2.0A, Customizable or CANAerospace v.1.7 to be supported)
- Mating Connector : 801-007-16M6-7SA (example)

## DIMENSIONS

